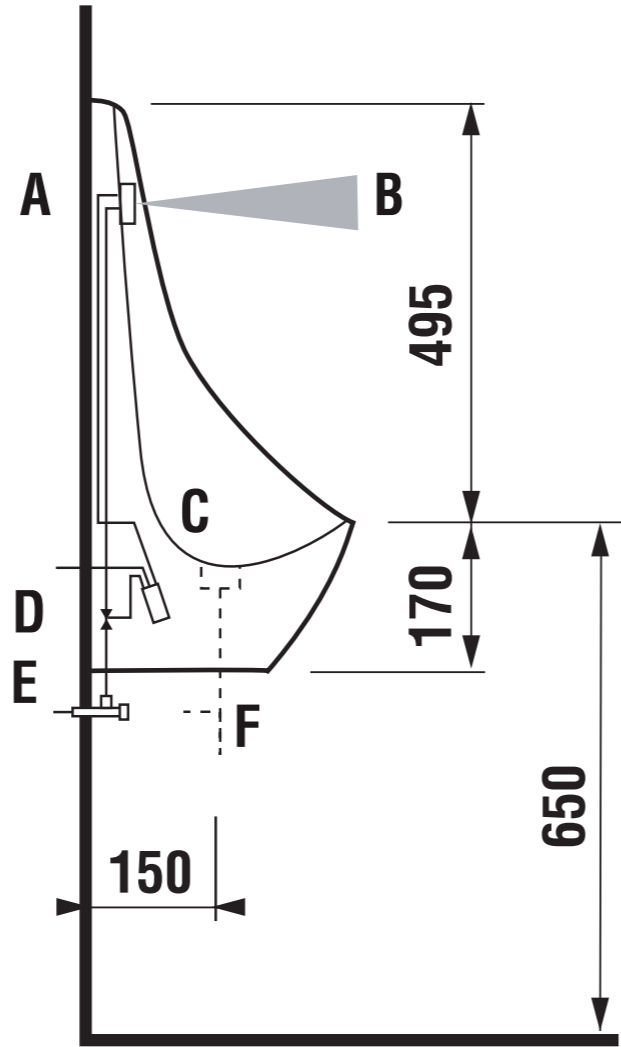


- A - sensor head with jet
- B- sensing zone
- C- control electronics
- D- electromagnetic valve
- E - angle valve with filter
- F- siphon

24V, 50HZ POWER  
SUPPLY CYKY 2A x 1,5



8.4110.1.000.487.1  
8.4110.1.000.488.1

